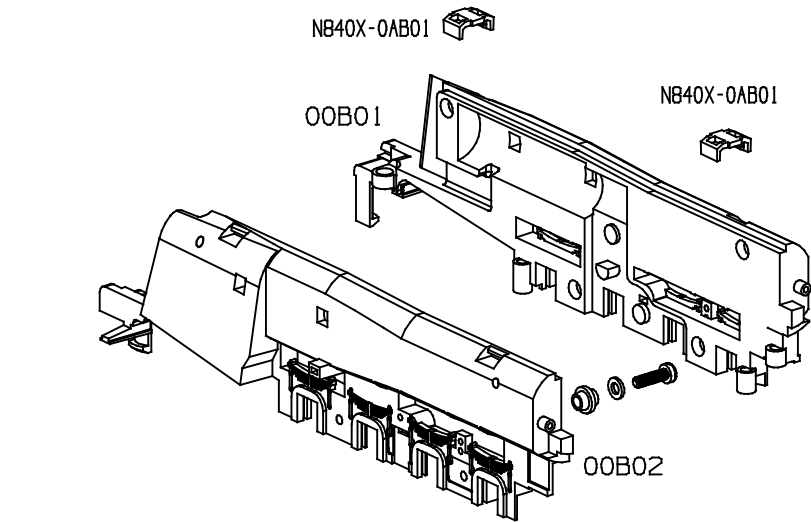


CHASSIS ASSEMBLY

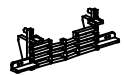


#50951
#50952
#50955



0AH03

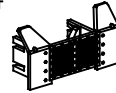
#50951
#50952



0AA01

FRONT PILOT-A

#50953
#50954



0AJ03

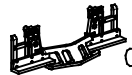
#50955



0AA02

FRONT PILOT-B

#50953
#50954



0AA03

FRONT PILOT-C

#50951
#50952
#50955



PCB02

#50953
#50954



PCB03

